

The 6 Metre Rule

The most important aspect of pitching is to ensure all units, including their awning and pup tent(s), are pitched 6 metres from the adjacent units.

It is not possible to lay down an exact grid layout for any given campsite because of the varying geographical features.

Where there is an 'open field' situation, the attached typical layout will cater for most situations.

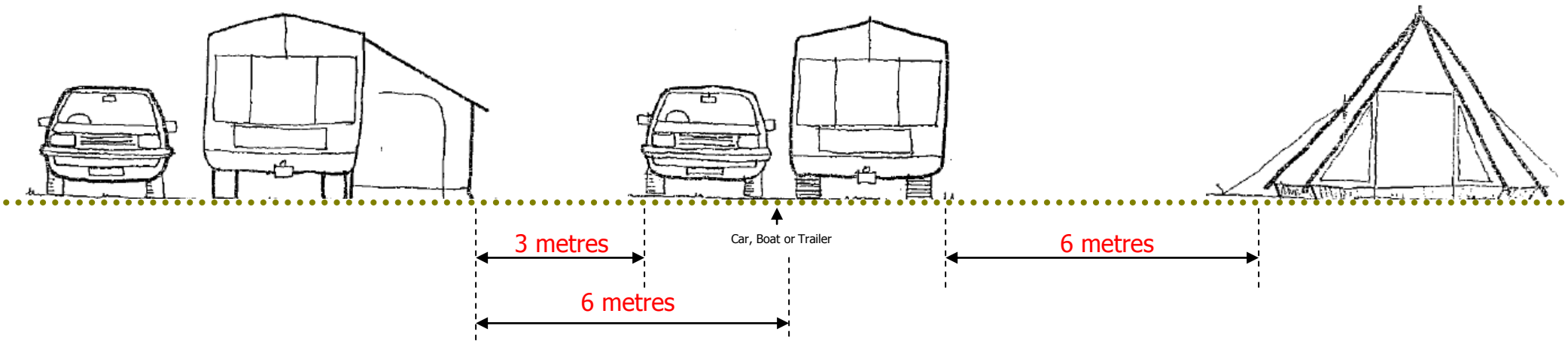
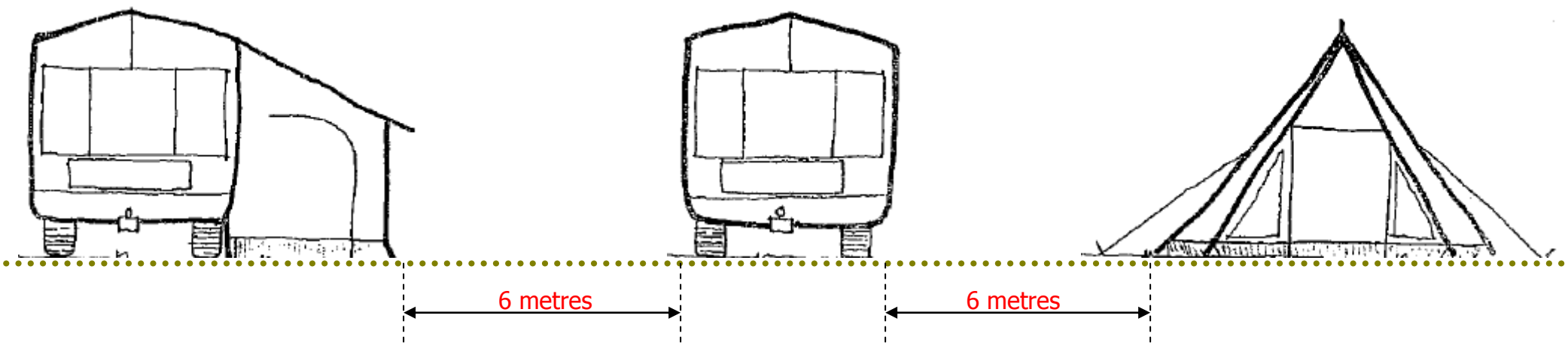
The total 'accommodation area' available is 36.6 sq metres and each must be sited 6 metres apart. A car may be parked within the 6 metre space provided 3 metres clear space is maintained between the outside edge of the vehicle and the adjacent 'accommodation area'.

NB. A pup tent may be pitched close to the main unit provided it is not used for cooking purposes and does not incorporate a light with a naked flame.

November 2010

The Camping and Caravanning Club
Exempted Camping Department
Greenfields House
Westwood Way
Coventry
CV4 8JH
02476 475198
exemptions@thefriendlyclub.co.uk

The 6 Metre Rule (not to scale)



The 6 Metre Rule (not to scale)

